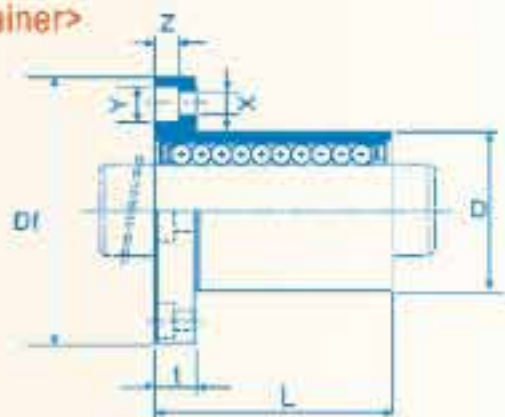


LMF <Built-in Synthetics Resin Retainer>



This type is a metric dimension series widely used in Japan and other countries

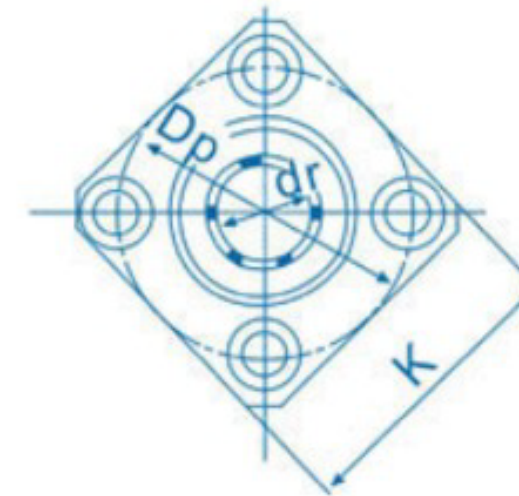
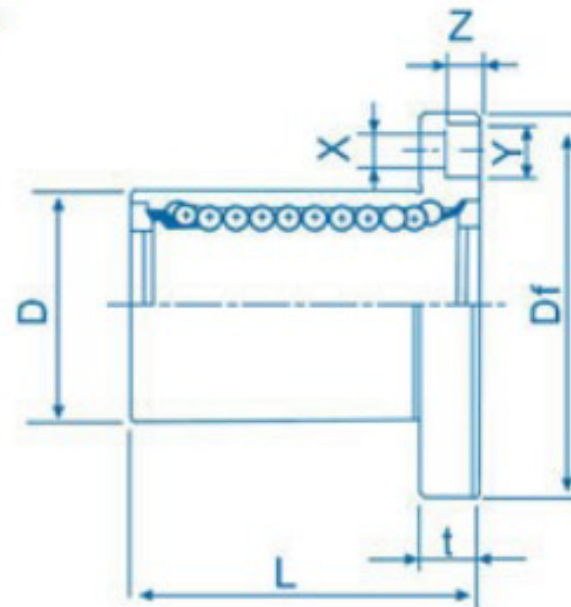


Nominal Part No.				Major Dimensions and Tolerance (mm)			Major Dimensions and Tolerance (mm)					Eccentricity μm	Squareness μm	Basic Load Rating		Nominal Part No.	
Standard Type	Seal Type	Ball Circuit	Weight g	df Tolerance	D Tolerance	L Tolerance	Flange							Dynamic C(N)	Static Co(N)		
							Df	r	Dp	X	Y	Z					
LMF 6	LMF 6 UU	4	24	8	12	19	28	6	28	3.5	6	3.1	12	12	208	265	LMF 6
LMF 8S	LMF 8S UU	4	32	8	15	17	32	6	24	3.5	6	3.1	12	12	176	216	LMF 8S
LMF 8	LMF 8 UU	4	37	8	15	24	32	6	24	3.5	6	3.1	12	12	274	392	LMF 8
LMF 10	LMF 10 UU	4	72	10	19	29	40	6	28	4.5	7.5	4.1	12	12	372	549	LMF 10
LMF 12	LMF 12 UU	4	78	12	21	30	42	6	32	4.5	7.5	4.1	12	12	516	784	LMF 12
LMF 13	LMF 13 UU	4	86	13	23	32	43	6	33	4.5	7.5	4.1	12	12	516	784	LMF 13
LMF 16	LMF 16 UU	5	120	16	28	37	48	6	38	4.5	7.5	4.1	12	12	774	1,180	LMF 16
LMF 20	LMF 20 UU	5	180	20	32	42	54	8	43	5.5	9	5.1	15	15	882	1,370	LMF 20
LMF 25	LMF 25 UU	6	340	25	40	59	62	8	51	5.5	9	5.1	15	15	980	1,570	LMF 25
LMF 30	LMF 30 UU	6	470	30	46	64	74	10	60	6.5	11	6.1	15	15	1,670	2,746	LMF 30
LMF 35	LMF 35 UU	6	650	35	52	70	82	10	67	6.5	11	6.1	20	20	1,670	3,146	LMF 35
LMF 40	LMF 40 UU	6	1,080	40	60	80	96	13	76	9	14	8.1	20	20	2,190	4,020	LMF 40
LMF 50	LMF 50 UU	6	2,200	50	80	100	116	13	86	9	14	8.1	20	20	3,620	7,940	LMF 50
LMF 60	LMF 60 UU	6	3,000	60	90	110	134	18	112	11	17	11.1	25	25	4,700	10,000	LMF 60

LMK <Built-in Synthetics Resin Retainer>



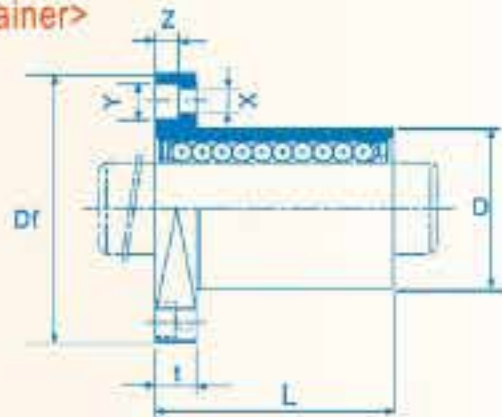
This type is a metric dimension series widely used in Japan and other countries.



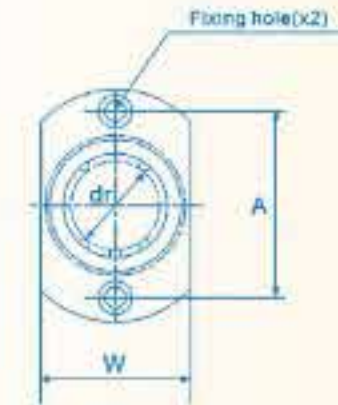
LMK

Nominal Part No.		Major Dimensions and Tolerance (mm)											Eccentricity μm	Squareness μm	Basic Load Rating		Nominal Part No.
Standard Type	Ball Circuit Weight g	Dr Tolerance	D Tolerance	L Tolerance	Flange							Dynamic CN			Static CoN		
Seal Type					Df	k	t	Dp	X	Y	Z						
LMK 6 LMK 6 UU	4 24	6	12 0	19	28	22	5	20	3.5	6	3.1	12	12	206	265	LMK 6	
LMK 8S LMK 8S UU	4 32	8	15 -0.013	17	32	25	5	24	3.5	6	3.1	12	12	176	216	LMK 8S	
LMK 8 LMK 8 UU	4 37	8	15	24	32	25	5	24	3.5	6	3.1	12	12	274	392	LMK 8	
LMK 10 LMK 10 UU	4 72	10	19 -0.009	29	40	30	6	29	4.5	7.5	4.1	12	12	372	549	LMK 10	
LMK 12 LMK 12 UU	4 76	12	21 0	30	42	32	6	32	4.5	7.5	4.1	12	12	510	784	LMK 12	
LMK 13 LMK 13 UU	4 88	13	23 -0.016	32	43	34	6	33	4.5	7.5	4.1	12	12	510	784	LMK 13	
LMK 16 LMK 16 UU	5 120	16	28	37	48	37	6	38	4.5	7.5	4.1	12	12	774	1,180	LMK 16	
LMK 20 LMK 20 UU	5 180	20	32	42 ±0.3	54	42	8	43	5.5	9	5.1	15	15	882	1,370	LMK 20	
LMK 25 LMK 25 UU	6 340	25	40 0	59	62	50	8	51	5.5	9	5.1	15	15	980	1,570	LMK 25	
LMK 30 LMK 30 UU	6 470	30	45 -0.010	64	74	58	10	60	6.6	11	6.1	15	15	1,570	2,740	LMK 30	
LMK 35 LMK 35 UU	6 650	35	52	70	82	64	10	67	6.6	11	6.1	20	20	1,670	3,140	LMK 35	
LMK 40 LMK 40 UU	6 1,060	40	60 0	80	96	75	13	78	9	14	8.1	20	20	2,160	4,020	LMK 40	
LMK 50 LMK 50 UU	6 2,200	50	80 -0.012	100	116	92	13	98	9	14	8.1	20	20	3,820	7,940	LMK 50	
LMK 60 LMK 60 UU	6 3,000	60	90 0 -0.015	110 -0.025	134	106	18	112	11	17	11.1	25	25	4,700	10,000	LMK 60	

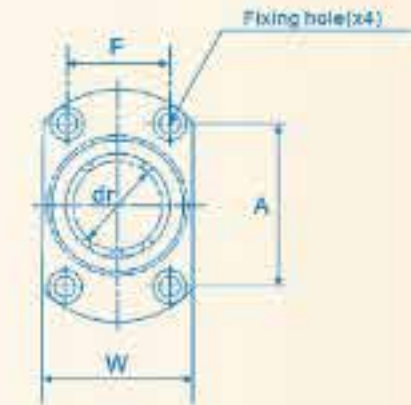
LMH <Built-in Synthetics Resin Retainer>



This type is a metric dimension series widely used in Japan and other countries



LMH 13 or less



LMH 16 or more

Nominal Part No.				Major Dimensions and Tolerance (mm)			Major Dimensions and Tolerance (mm)							Eccentricity μm	Squareness μm	Basic Load Rating		Nominal Part No.	
Standard Type	Seal Type	Ball Circuit	Weight g	dr Tolerance	D Tolerance	L Tolerance	Flange									Dynamic C(N)	Static Co(N)		
							Df	W	t	A	F	X	Y	Z					
LMH 6	LMH 6 UU	4	21	6	12	19	26	18	5	20	—	3.5	6	3.1	12	12	206	265	LMH 6
LMH 8	LMH 8 UU	4	33	8	15	24	32	21	5	24	—	3.5	6	3.1	12	12	274	392	LMH 8
LMH 10	LMH 10 UU	4	64	10	19	29	40	25	6	29	—	4.5	7.5	4.1	12	12	372	549	LMH 10
LMH 12	LMH 12 UU	4	68	12	21	30	42	27	6	32	—	4.5	7.5	4.1	12	12	610	784	LMH 12
LMH 13	LMH 13 UU	4	81	13	23	32	43	29	6	33	—	4.5	7.5	4.1	12	12	510	784	LMH 13
LMH 16	LMH 16 UU	6	112	16	28	37	46	34	6	31	22	4.5	7.5	4.1	12	12	774	1,180	LMH 16
LMH 20	LMH 20 UU	6	167	20	32	42	64	38	8	36	24	5.5	9	6.1	16	16	882	1,370	LMH 20
LMH 25	LMH 25 UU	6	325	25	40	59	62	46	8	40	32	6.5	9	6.1	15	15	980	1,570	LMH 25
LMH 30	LMH 30 UU	6	388	30	46	64	74	51	10	49	35	6.8	11	6.1	15	15	1,570	2,740	LMH 30

SI Unit 1N=0.102kgf